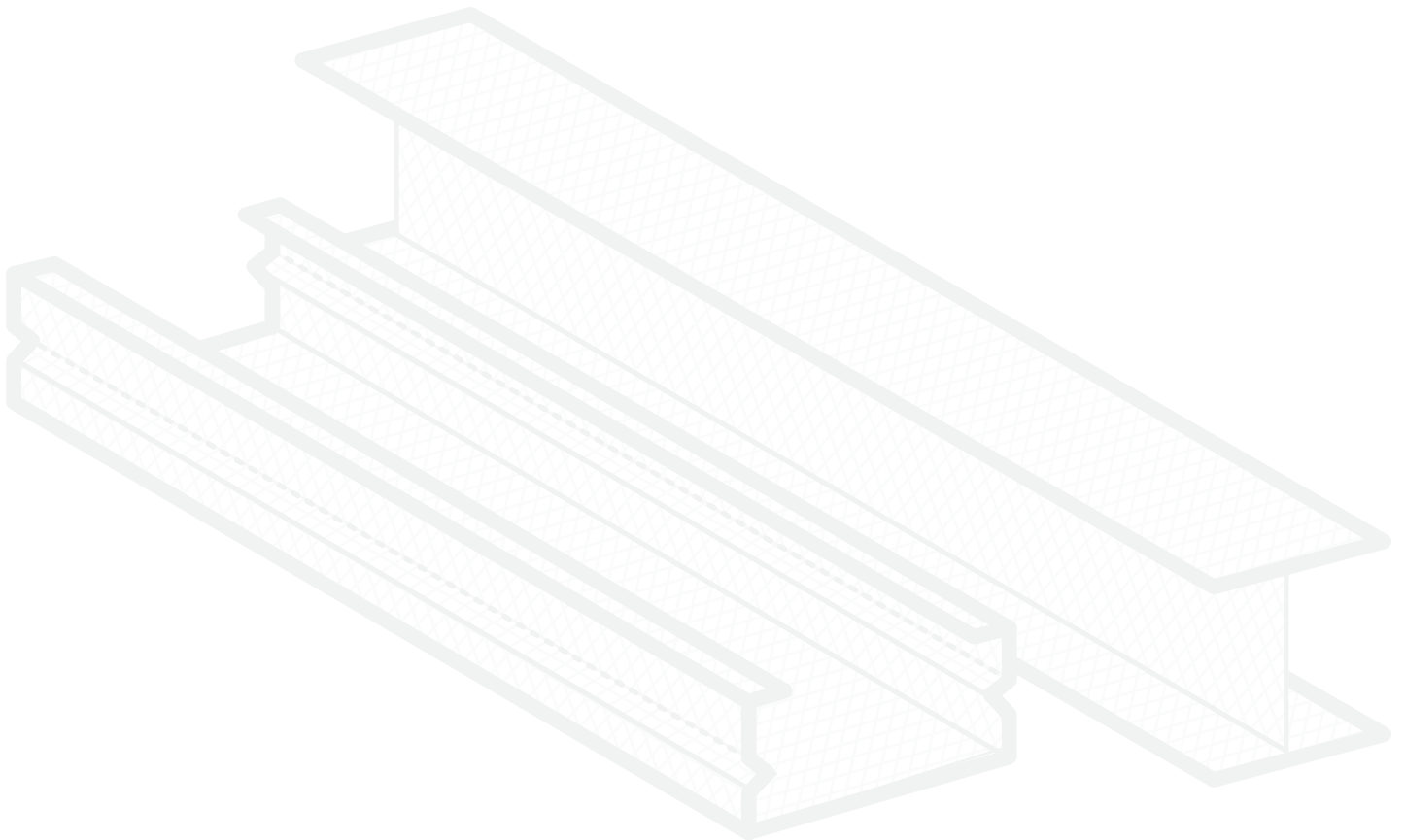
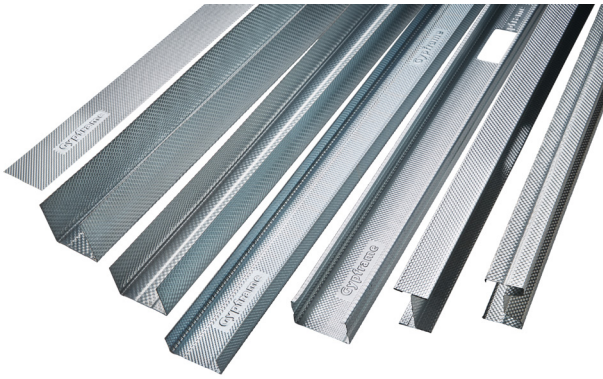


Safety Data Sheet

Gypframe[®] metal products





SAFETY DATA SHEET

Gypframe metal products

According to Regulation (EC) No 1907/2006, Annex II, as amended. Commission Regulation (EU) No 2015/830 of 28 May 2015.

SECTION 1: Identification of the substance/mixture and of the company/undertaking

1.1. Product identifier

Product name Gypframe metal products

1.2. Relevant identified uses of the substance or mixture and uses advised against

Identified uses In conjunction with Gyproc plasterboards, Gyproc plasterboard laminates and British Gypsum Specialist board products, to form internal walls and ceiling systems, linings and encasements.

Uses advised against No specific uses advised against are identified.

1.3. Details of the supplier of the safety data sheet

Supplier British Gypsum
East Leake
Loughborough
Leicestershire
LE12 6HX
UK
T: +44 (0) 115 945 6123
E: bgtechnical.enquiries@bpb.com

1.4. Emergency telephone number

Emergency telephone +44 (0) 115 945 6123
8:30am - 5:00pm Monday - Friday (GMT)

SECTION 2: Hazards identification

2.1. Classification of the substance or mixture

Classification (EC 1272/2008)

Physical hazards Not Classified

Health hazards Not Classified

Environmental hazards Not Classified

Human health Sharp edges and corners may cause cuts and abrasions. Prolonged or repeated contact with skin may cause irritation, redness and dermatitis. Harmful dust may be released during cutting or grinding process. Dust may irritate the eyes and the respiratory system. Frequent inhalation of dust over a long period of time increases the risk of developing lung diseases.

2.2. Label elements

Hazard statements NC Not Classified

Labelling notes As supplied, this product does not meet the requirements for labelling.

2.3. Other hazards

Gypframe metal products

This product does not contain any substances classified as PBT or vPvB.

SECTION 3: Composition/information on ingredients

3.2. Mixtures

Composition comments General composition: Mild steel sections coated by zinc electrolytic process or hot dip galvanised process. The sections may have a protective film of a roll forming hydrocarbon lubricant or a residue of cutting fluid.

SECTION 4: First aid measures

4.1. Description of first aid measures

General information Get medical attention if any discomfort continues. Show this Safety Data Sheet to the medical personnel.

Inhalation Due to the physical nature of this product, exposure by this route is unlikely. Move affected person to fresh air and keep warm and at rest in a position comfortable for breathing.

Ingestion Due to the physical nature of this product, it is unlikely that ingestion will occur. IF SWALLOWED: Give a few small glasses of water or milk to drink. Stop if the affected person feels sick as vomiting may be dangerous. Do not induce vomiting unless under the direction of medical personnel. Never give anything by mouth to an unconscious person. If in doubt, get medical attention promptly.

Skin contact Wash skin thoroughly with soap and water. If skin is punctured then treat as for a normal cut or wound. Apply pressure to stop bleeding and clean wound as necessary. Use appropriate dressing. If in doubt, get medical attention promptly.

Eye contact Due to the physical nature of this product, exposure by this route is unlikely. IF IN EYES: Remove any contact lenses and open eyelids wide apart. Rinse with water. Do not rub eye. If in doubt, get medical attention promptly.

Protection of first aiders First aid personnel should wear appropriate protective equipment during any rescue.

4.2. Most important symptoms and effects, both acute and delayed

General information The product is considered to be a low hazard under normal conditions of use. See Section 11 for additional information on health hazards. The severity of the symptoms described will vary dependent on the concentration and the length of exposure.

Inhalation No specific symptoms known. Due to the physical nature of this product, exposure by this route is unlikely. Harmful dust may be released during cutting or grinding process. Frequent inhalation of dust over a long period of time increases the risk of developing lung diseases.

Ingestion No specific symptoms known. May cause discomfort. Sharp edges and corners may cause cuts and abrasions.

Skin contact No specific symptoms known. Sharp edges and corners may cause cuts and abrasions. Prolonged or repeated contact with skin may cause irritation, redness and dermatitis.

Eye contact No specific symptoms known. Sharp edges and corners may cause cuts and abrasions. Harmful dust may be released during cutting or grinding process. Particles in the eyes may cause irritation and smarting.

4.3. Indication of any immediate medical attention and special treatment needed

Specific treatments No special treatment required.

Notes for the doctor Treat symptomatically.

SECTION 5: Firefighting measures

5.1. Extinguishing media

Gypframe metal products

Suitable extinguishing media Extinguish with alcohol-resistant foam, carbon dioxide, dry powder or water fog. Use fire-extinguishing media suitable for the surrounding fire.

Unsuitable extinguishing media Do not use water jet as an extinguisher, as this will spread the fire.

5.2. Special hazards arising from the substance or mixture

Specific hazards None known.

Hazardous combustion products Thermal decomposition or combustion products may include the following substances: Harmful gases or vapours. Metal oxide(s).

5.3. Advice for firefighters

Protective actions during firefighting Avoid breathing fire gases or vapours. Evacuate area. Cool containers exposed to heat with water spray and remove them from the fire area if it can be done without risk. Cool containers exposed to flames with water until well after the fire is out.

Special protective equipment for firefighters Wear positive-pressure self-contained breathing apparatus (SCBA) and appropriate protective clothing. Firefighter's clothing conforming to European standard EN469 (including helmets, protective boots and gloves) will provide a basic level of protection for chemical incidents.

SECTION 6: Accidental release measures

6.1. Personal precautions, protective equipment and emergency procedures

Personal precautions Wear protective clothing as described in Section 8 of this safety data sheet. Sharp edges and corners may cause cuts and abrasions.

6.2. Environmental precautions

Environmental precautions The product is not expected to be hazardous to the environment. Avoid discharge to the aquatic environment. Large Spillages: Inform the relevant authorities if environmental pollution occurs (sewers, waterways, soil or air).

6.3. Methods and material for containment and cleaning up

Methods for cleaning up Wear protective clothing as described in Section 8 of this safety data sheet. Clear up spills immediately and dispose of waste safely. Reuse or recycle products wherever possible. Collect spillage. Do not empty into drains. Dispose of waste to licensed waste disposal site in accordance with the requirements of the local Waste Disposal Authority.

6.4. Reference to other sections

Reference to other sections For personal protection, see Section 8. For waste disposal, see Section 13.

SECTION 7: Handling and storage

7.1. Precautions for safe handling

Usage precautions Read and follow manufacturer's recommendations. Wear protective clothing as described in Section 8 of this safety data sheet. Keep away from food, drink and animal feeding stuffs. Do not handle until all safety precautions have been read and understood. Handle all packages and containers carefully to minimise spills. Sharp edges and corners may cause cuts and abrasions.

Advice on general occupational hygiene Wash hands thoroughly after handling. Do not eat, drink or smoke when using this product. Wash at the end of each work shift and before eating, smoking and using the toilet. Change work clothing daily before leaving workplace.

7.2. Conditions for safe storage, including any incompatibilities

Storage precautions Store away from incompatible materials (see Section 10). Store in accordance with local regulations.

Gypframe metal products

Storage class Unspecified storage.

7.3. Specific end use(s)

Specific end use(s) The identified uses for this product are detailed in Section 1.2.

SECTION 8: Exposure controls/Personal protection

8.1. Control parameters

Ingredient comments No exposure limits known for ingredient(s).

8.2. Exposure controls

Appropriate engineering controls Provide adequate ventilation. Harmful dust may be released during cutting or grinding process. Use mechanical ventilation if there is a risk of handling causing formation of airborne dust. Observe any occupational exposure limits for the product or ingredients.

Eye/face protection Sharp edges and corners may cause cuts and abrasions. Eyewear complying with an approved standard should be worn if a risk assessment indicates eye contact is possible. Personal protective equipment for eye and face protection should comply with European Standard EN166. Wear tight-fitting, dust-resistant, chemical splash goggles if airborne dust is generated.

Hand protection Sharp edges and corners may cause cuts and abrasions. Wear puncture-resistant protective gloves if handling sharp edges and corners.

Other skin and body protection Appropriate footwear and additional protective clothing complying with an approved standard should be worn if a risk assessment indicates skin contamination is possible.

Hygiene measures Good personal hygiene procedures should be implemented. When using do not eat, drink or smoke.

Respiratory protection No specific requirements are anticipated under normal conditions of use. Harmful dust may be released during cutting or grinding process. Respiratory protection must be used if the airborne contamination exceeds the recommended occupational exposure limit. Wear a suitable dust mask. Disposable filtering half mask respirators should comply with European Standard EN149 or EN405. Ensure all respiratory protective equipment is suitable for its intended use and is 'CE'-marked. Check that the respirator fits tightly and the filter is changed regularly.

Environmental exposure controls Not regarded as dangerous for the environment.

SECTION 9: Physical and chemical properties

9.1. Information on basic physical and chemical properties

Appearance Metal length sections in various lengths, thicknesses and formation.

Colour Various colours.

Odour Odourless.

Odour threshold No information available.

pH Not relevant.

Melting point Not determined.

Initial boiling point and range Not relevant.

Flash point Not relevant.

Evaporation rate Not relevant.

Gypframe metal products

Evaporation factor	Not relevant.
Flammability (solid, gas)	Not determined.
Upper/lower flammability or explosive limits	Not determined.
Other flammability	Not determined.
Vapour pressure	Not relevant.
Vapour density	Not relevant.
Relative density	Not determined.
Bulk density	Not determined.
Solubility(ies)	Not determined.
Partition coefficient	Not determined.
Auto-ignition temperature	Not determined.
Decomposition Temperature	Not determined.
Viscosity	Not relevant.
Explosive properties	Not considered to be explosive.
Oxidising properties	Does not meet the criteria for classification as oxidising.

9.2. Other information

Other information No information required.

SECTION 10: Stability and reactivity

10.1. Reactivity

Reactivity There are no known reactivity hazards associated with this product.

10.2. Chemical stability

Stability Stable at normal ambient temperatures and when used as recommended. Stable under the prescribed storage conditions.

10.3. Possibility of hazardous reactions

Possibility of hazardous reactions No potentially hazardous reactions known.

10.4. Conditions to avoid

Conditions to avoid There are no known conditions that are likely to result in a hazardous situation.

10.5. Incompatible materials

Materials to avoid Avoid contact with acids and alkalis.

10.6. Hazardous decomposition products

Hazardous decomposition products Does not decompose when used and stored as recommended.

SECTION 11: Toxicological information

11.1. Information on toxicological effects

Toxicological effects Not regarded as a health hazard under current legislation.

Gypframe metal products

Acute toxicity - oral

Summary Based on available data the classification criteria are not met.

Acute toxicity - dermal

Summary Based on available data the classification criteria are not met.

Acute toxicity - inhalation

Summary Based on available data the classification criteria are not met.

Skin corrosion/irritation

Summary Based on available data the classification criteria are not met.

Serious eye damage/irritation

Summary Based on available data the classification criteria are not met.

Respiratory sensitisation

Summary Based on available data the classification criteria are not met.

Skin sensitisation

Summary Based on available data the classification criteria are not met.

Germ cell mutagenicity

Summary Based on available data the classification criteria are not met.

Carcinogenicity

Summary Based on available data the classification criteria are not met.

Reproductive toxicity

Summary Based on available data the classification criteria are not met.

Specific target organ toxicity - single exposure

Summary Based on available data the classification criteria are not met.

Specific target organ toxicity - repeated exposure

Summary Based on available data the classification criteria are not met.

Aspiration hazard

Summary Not relevant. Solid.

General information

The product is considered to be a low hazard under normal conditions of use. No specific health hazards known.

Inhalation

No specific symptoms known. Harmful dust may be released during cutting or grinding process. Frequent inhalation of dust over a long period of time increases the risk of developing lung diseases.

Ingestion

No specific symptoms known. May cause discomfort. Sharp edges and corners may cause cuts and abrasions.

Skin contact

No specific symptoms known. Sharp edges and corners may cause cuts and abrasions. Prolonged or repeated contact with skin may cause irritation, redness and dermatitis.

Eye contact

No specific symptoms known. Sharp edges and corners may cause cuts and abrasions. Harmful dust may be released during cutting or grinding process. Particles in the eyes may cause irritation and smarting.

Route of exposure

Dermal Inhalation Harmful dust may be released during cutting or grinding process.

Target organs

No specific target organs known.

Gypframe metal products

SECTION 12: Ecological information

Ecotoxicity Not regarded as dangerous for the environment. However, large or frequent spills may have hazardous effects on the environment.

12.1. Toxicity

Toxicity The product is not believed to present a hazard due to its physical nature.

Acute aquatic toxicity

Summary Based on available data the classification criteria are not met.

Chronic aquatic toxicity

Summary Based on available data the classification criteria are not met.

12.2. Persistence and degradability

Persistence and degradability Not readily biodegradable.

12.3. Bioaccumulative potential

Bioaccumulative potential No data available on bioaccumulation.

Partition coefficient Not determined.

12.4. Mobility in soil

Mobility No data available.

12.5. Results of PBT and vPvB assessment

Results of PBT and vPvB assessment This product does not contain any substances classified as PBT or vPvB.

12.6. Other adverse effects

Other adverse effects None known.

SECTION 13: Disposal considerations

13.1. Waste treatment methods

General information The generation of waste should be minimised or avoided wherever possible. Reuse or recycle products wherever possible. This material and its container must be disposed of in a safe way. Disposal of this product, process solutions, residues and by-products should at all times comply with the requirements of environmental protection and waste disposal legislation and any local authority requirements.

Disposal methods Dispose of surplus products and those that cannot be recycled via a licensed waste disposal contractor. Waste packaging should be collected for reuse or recycling. Incineration or landfill should only be considered when recycling is not feasible. Waste should not be disposed of untreated to the sewer unless fully compliant with the requirements of the local water authority.

SECTION 14: Transport information

General The product is not covered by international regulations on the transport of dangerous goods (IMDG, IATA, ADR/RID).

14.1. UN number

Not applicable.

14.2. UN proper shipping name

Not applicable.

Gypframe metal products

14.3. Transport hazard class(es)

No transport warning sign required.

14.4. Packing group

Not applicable.

14.5. Environmental hazards

Environmentally hazardous substance/marine pollutant

No.

14.6. Special precautions for user

Not applicable.

14.7. Transport in bulk according to Annex II of MARPOL and the IBC Code

Transport in bulk according to Annex II of MARPOL 73/78 and the IBC Code Not applicable.

SECTION 15: Regulatory information

15.1. Safety, health and environmental regulations/legislation specific for the substance or mixture

EU legislation Regulation (EC) No 1907/2006 of the European Parliament and of the Council of 18 December 2006 concerning the Registration, Evaluation, Authorisation and Restriction of Chemicals (REACH) (as amended).
Commission Regulation (EU) No 2015/830 of 28 May 2015.

15.2. Chemical safety assessment

No chemical safety assessment has been carried out.

SECTION 16: Other information

Abbreviations and acronyms used in the safety data sheet ADR: European Agreement concerning the International Carriage of Dangerous Goods by Road.
ADN: European Agreement concerning the International Carriage of Dangerous Goods by Inland Waterways.
RID: European Agreement concerning the International Carriage of Dangerous Goods by Rail.
IATA: International Air Transport Association.
ICAO: Technical Instructions for the Safe Transport of Dangerous Goods by Air.
IMDG: International Maritime Dangerous Goods.
CAS: Chemical Abstracts Service.
PBT: Persistent, Bioaccumulative and Toxic substance.
vPvB: Very Persistent and Very Bioaccumulative.

General information This SDS is not mandated under REACH Regulation (EC) No 1907/2006 and is provided for information only. As supplied, this product does not meet the requirements for labelling.

Training advice Read and follow manufacturer's recommendations. Only trained personnel should use this material.

Document code BG-SDS-200

Revision comments This is the first issue.

Revision date 10/12/2019

Revision 01

Gypframe metal products

SDS number 9038

This information relates only to the specific material designated and may not be valid for such material used in combination with any other materials or in any process. Such information is, to the best of the company's knowledge and belief, accurate and reliable as of the date indicated. However, no warranty, guarantee or representation is made to its accuracy, reliability or completeness. It is the user's responsibility to satisfy himself as to the suitability of such information for his own particular use.



"Gyproc", "Thistle", "Gypframe" and "Glasroc" are all registered trademarks of Saint-Gobain Construction Products UK Limited. "Isover" is a registered trademark of Saint-Gobain Isover and "Artex" is a registered trademark of Saint-Gobain Construction Products UK Limited.

Saint-Gobain Construction Products UK Limited is a limited company registered in England under company number 734396, having its registered office at Saint-Gobain House, East Leake, Loughborough, Leicestershire, LE12 6JU, UK. Saint-Gobain Construction Products UK Limited trades as British Gypsum for part of its business activities.

British Gypsum reserves the right to revise product specification without notice. The information herein should not be read in isolation as it is meant only as guidance for the user, who should always ensure that they are fully conversant with the products and systems being used and their subsequent installation prior to the commencement of work. For a comprehensive and up-to-date library of information visit the British Gypsum website at: british-gypsum.com. For information about products supplied by Artex Limited or Saint-Gobain Isover please see their respective websites.

"British Gypsum" is a registered trademark of Saint-Gobain Construction Products UK Limited.



British Gypsum
Head Office, East Leake,
Loughborough,
Leicestershire, LE12 6HX
T: 0115 945 1000

british-gypsum.com